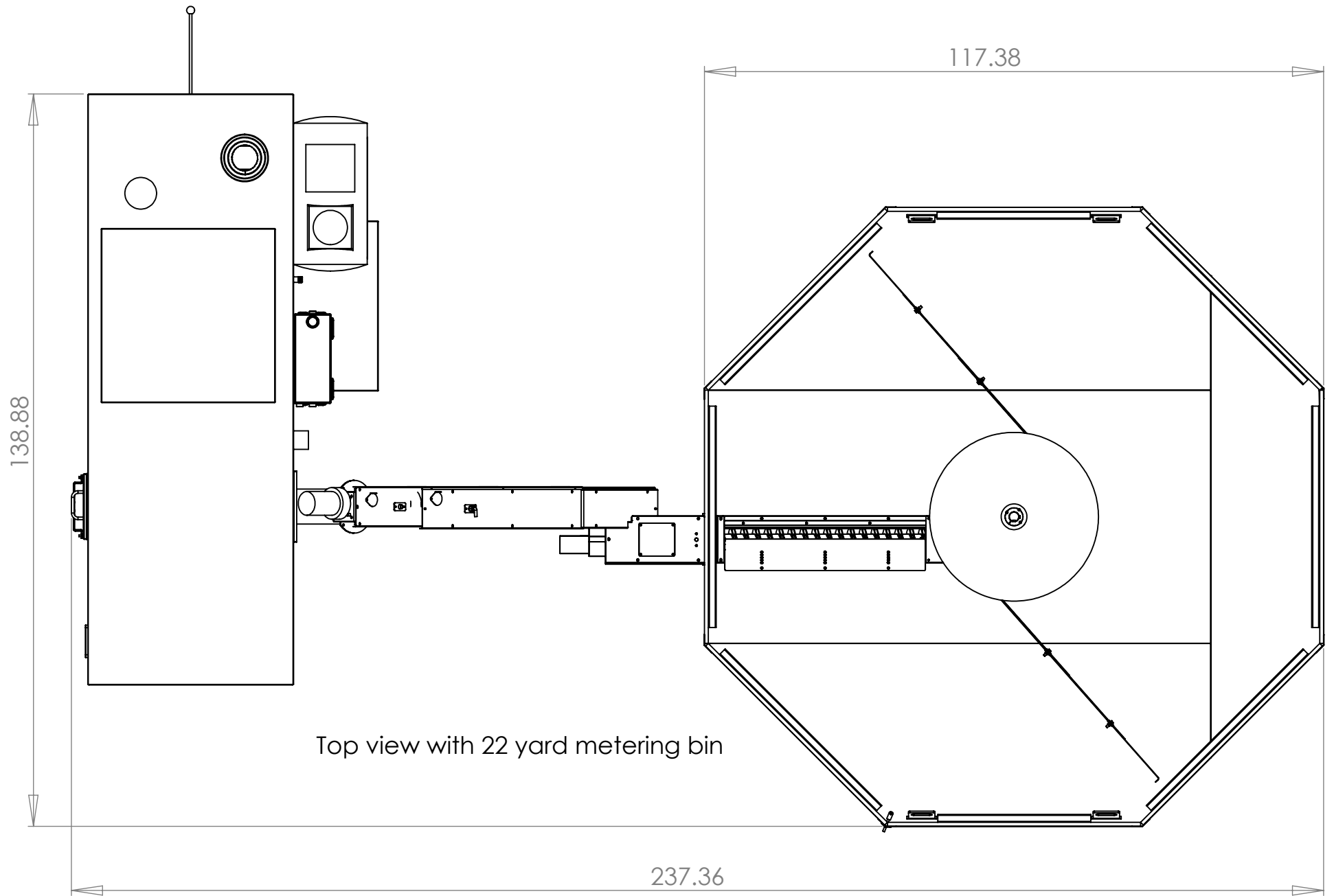
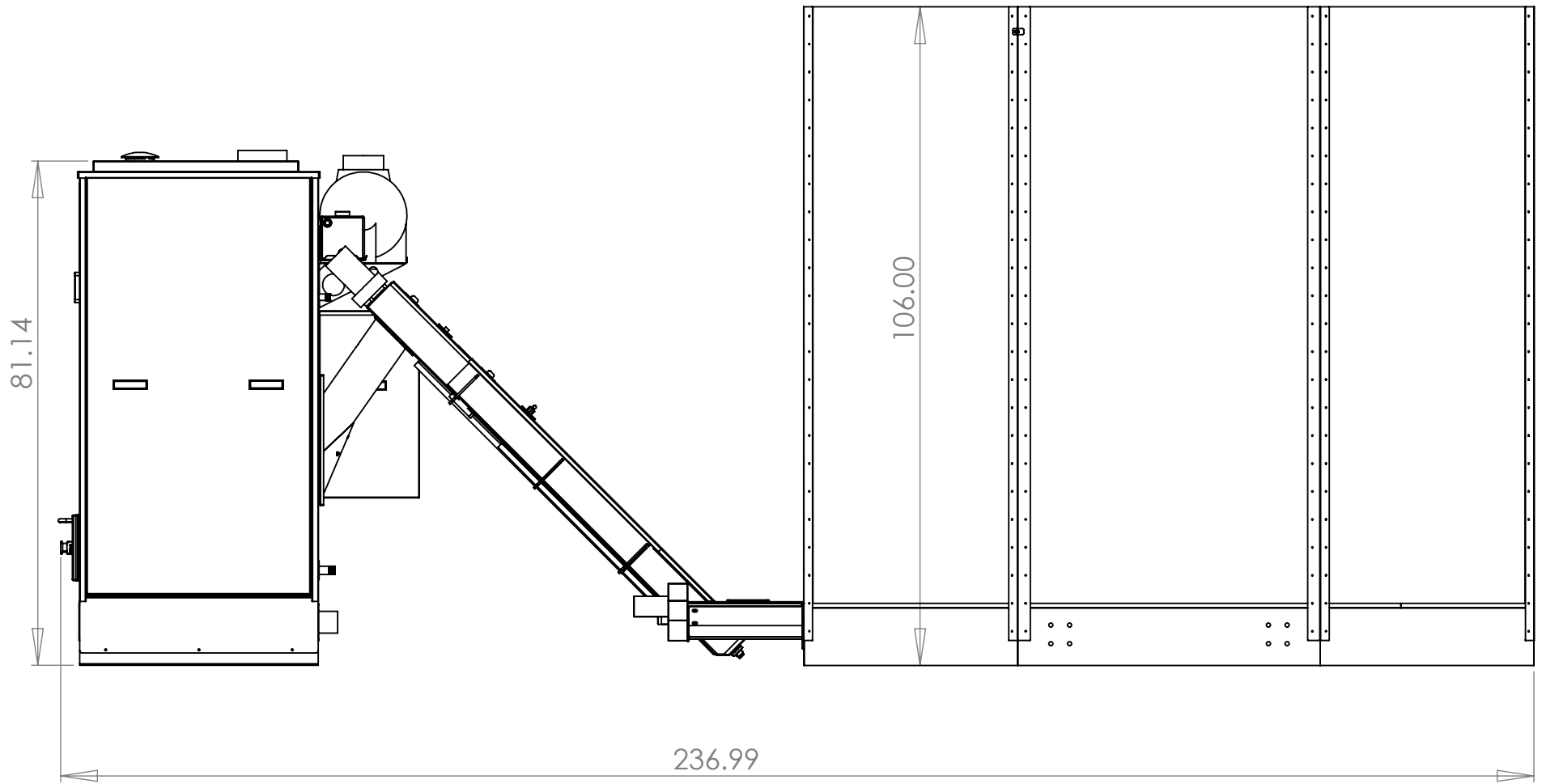


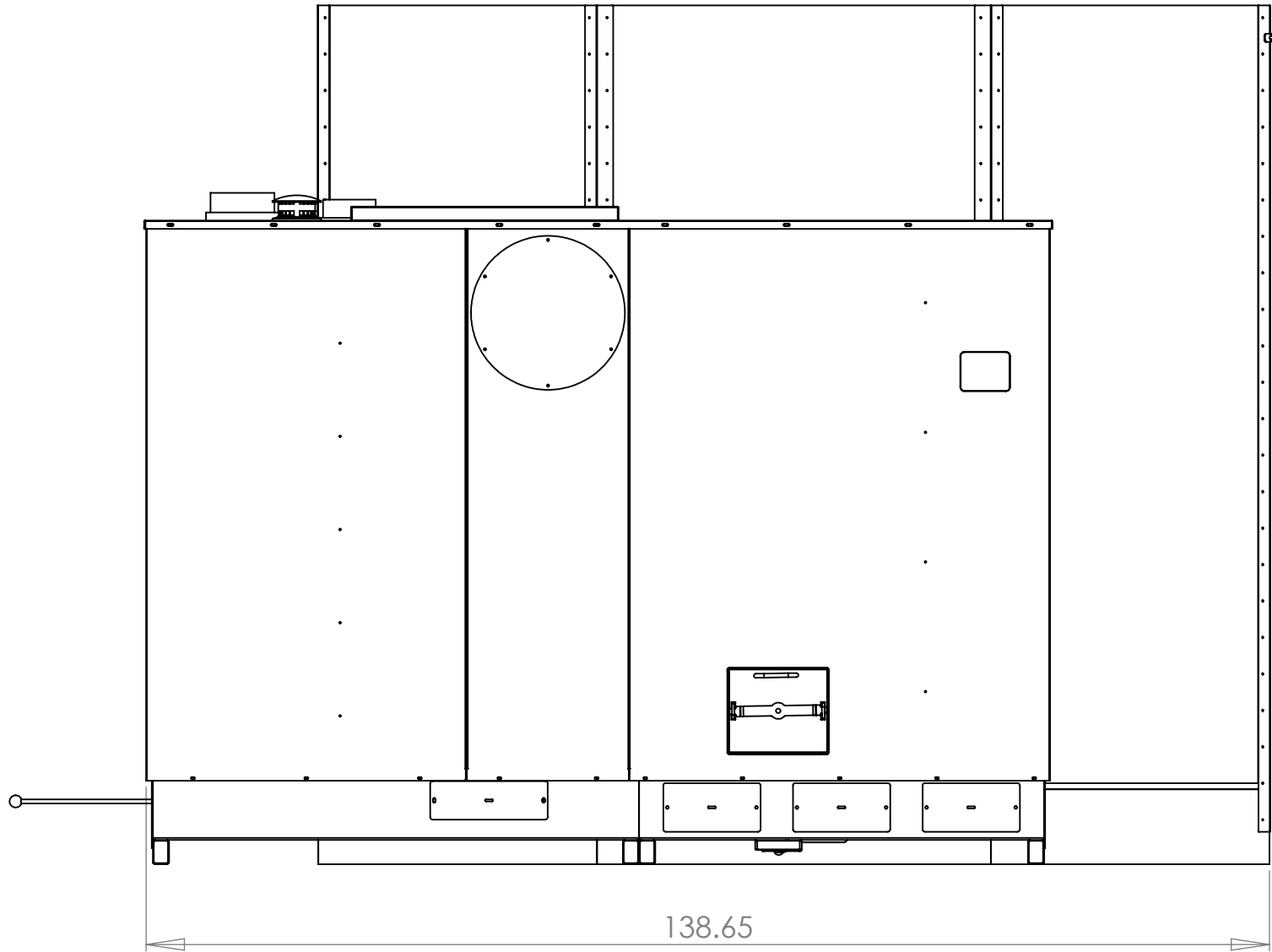
Top view with 2 yard metering bin



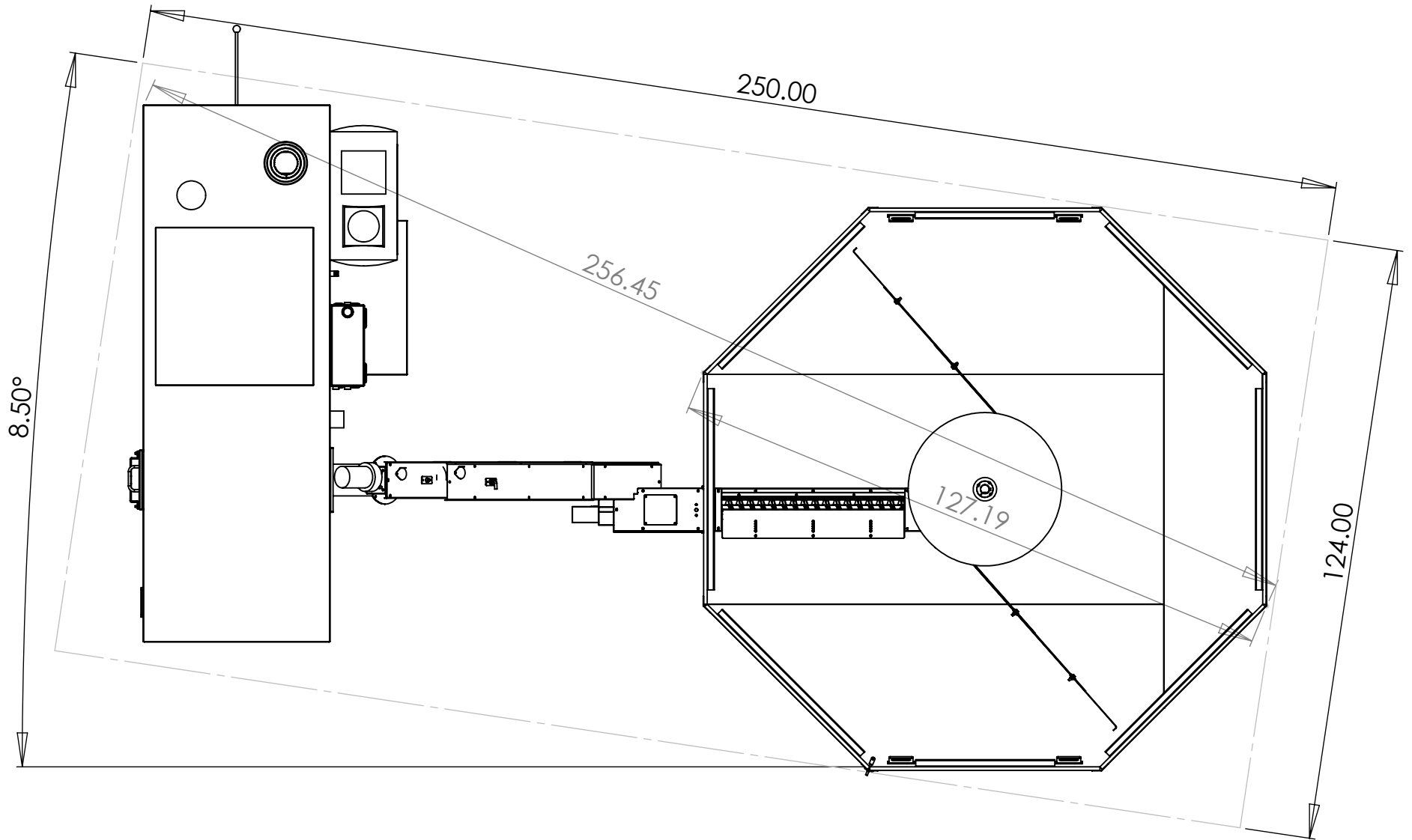
Top view with 22 yard metering bin



Side view with 22 yard metering bin



Front view with 22 yard metering bin



Top view with 22 yard fuel bin
Minimum slab dimension